

MYTON Model **MLS-20**

**Highly
Maneuverable
Tool**

*Compact and lightweight design for working in confined spaces.
Locking throttle lever helps prevent accidental start-up.*

- For optimum sanding of the surfaces of die casting dies
- Abrasive disc diameter of 1", 1-1/2" and 2" can be used by replacement of pad
- Uses twist lock sanding discs for quick installation and removal
- Insulated handle for operator comfort



Specifications

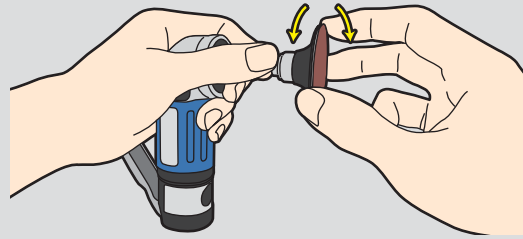
Model	MLS-20
Air Pressure	0.6 MPa (6 kgf/cm ²)
Air Consumption (No load)	0.42 m ³ /min
Free Speed	19,000 min ⁻¹
Sanding Disc Diameter	1", 1-1/2", 2"
Mass (Weight)	0.6 kg
Accessories Included	<ul style="list-style-type: none"> • 1" Disc Sanding Pad • 1-1/2" Disc Sanding Pad • 2" Disc Sanding pad • Two pieces of 14 mm spanner • Bushing R 1/4 × NPT 1/4 • Assortment of Sample Abrasive Discs contains: 2 each of #60, #80, #100, and #120 2" abrasive disc 2 each of #60, #80, #100, and #120 1-1/2" abrasive disc 2 each of #60, #80, #100, and #120 1" abrasive disc

Optional Parts

PN	Description	Sales Unit
TQ14382	2" Disc Sanding Pad	1 piece
TQ14383	1-1/2" Disc Sanding Pad	
TQ14384	1" Disc Sanding Pad	

Abrasive Discs

PN	Abrasive Disc Diameter	Disc Grit	Sales Unit
TB09736	1"	#40	25 pieces/set
TB09737	1"	#60	
TB09738	1"	#80	
TB09739	1"	#100	
TB09740	1"	#120	
TB09741	1"	#180	
TB09742	1"	#240	
TB09743	1"	#320	
TB09744	1-1/2"	#40	
TB09745	1-1/2"	#60	
TB09746	1-1/2"	#80	
TB09747	1-1/2"	#100	
TB09748	1-1/2"	#120	
TB09749	1-1/2"	#180	
TB09750	1-1/2"	#240	
TB09751	1-1/2"	#320	
TB09752	2"	#40	
TB09753	2"	#60	
TB09754	2"	#80	
TB09755	2"	#100	
TB09756	2"	#120	
TB09757	2"	#180	
TB09758	2"	#240	
TB09759	2"	#320	



Twist Lock Sanding Disc

Just screws an abrasive disc clockwise onto the pad for installation.



2" Disc Sanding Pad

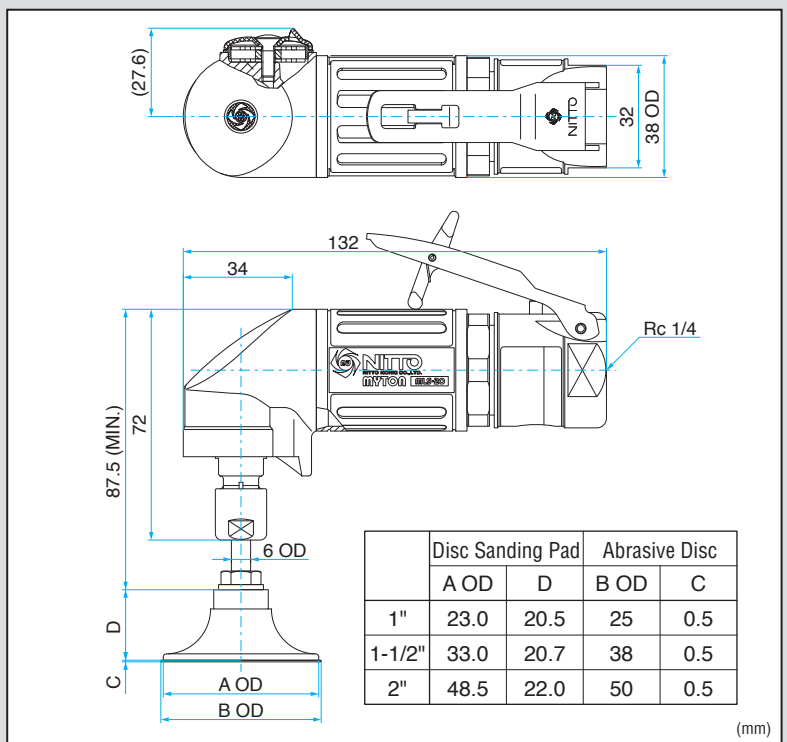


1-1/2" Disc Sanding Pad



1" Disc Sanding Pad

External View



NITTO KOHKI CO., LTD.

Web www.nitto-kohki.co.jp/e

Head Office

9-4, Nakaikegami 2-chome, Ohta-ku, Tokyo 146-8555 Japan
Tel : +81-3-3755-1111 Fax : +81-3-3753-8791
E-mail : overseas@nitto-kohki.co.jp

DISTRIBUTED BY