

# MEDO Air Blower Series

Model **LA-28B/LA-45C/LA-60B/LA-80B/  
LA-100A/LA-120A/LAM-150/LAM-200**



## Unique Linear Shuttle Design

Compact Type

**LA-28B & LA-45C**

Medium Type

**LA-60B & LA-80B**

Large Type

**LA-100A & LA-120A**

Extra Large Type

**LAM-150 & LAM-200**

### Benefits include:

- Low sound level
- Easy maintenance
- Unrivalled performance and lifetime
- Weatherproof case IP55 \*
- Low running temperature

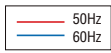
\*The IP rating of LA-60B & LA-80B is IP54.



### Specifications

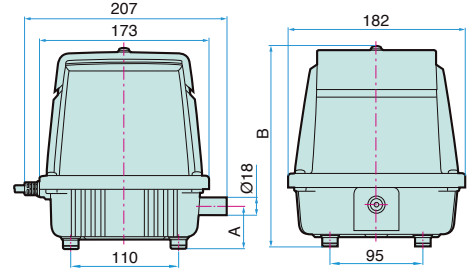
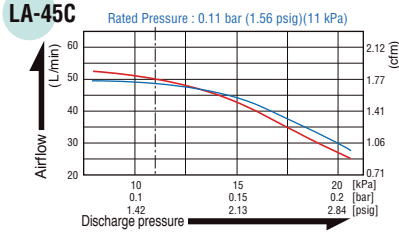
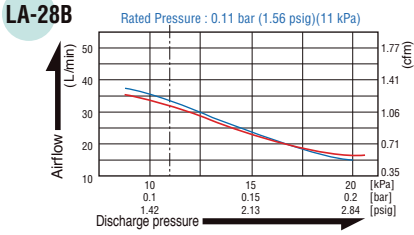
Model	LA-28B	LA-45C	LA-60B	LA-80B	LA-100A	LA-120A	LAM-150	LAM-200
Power Supply	120 V, 230 V, 240 V AC				230 V, 240 V AC		230 V AC	120V, 230 V, 240 V AC
Rated Frequency	50 Hz, 60 Hz				50 Hz			50 Hz, 60 Hz
Rated Pressure	0.11 bar (1.56 psig)		0.15 bar (2.13 psig)		0.18 bar (2.56 psig)		0.20 bar (2.84 psig)	
Operating Pressure Range	0.05-0.2 bar (0.71-2.84 psig)				0.05-0.3 bar (0.71-4.27 psig)			
Rated Airflow	28 L/min	45 L/min	60 L/min	80 L/min	100 L/min	120 L/min	150 L/min	200 L/min
Power Consumption	29 W / 50 Hz 25.5 W / 60 Hz	47 W / 50 Hz 45 W / 60 Hz	64 W / 50 Hz 60 W / 60 Hz	86 W / 50 Hz 80 W / 60 Hz	100 W / 50 Hz	130 W / 50 Hz	140 W / 50 Hz	215 W / 50 Hz 215 W / 60 Hz
Weight	2.8 kg (6.4 Lbs)	3.2 kg (7.1 Lbs)	5.0 kg (11 Lbs)	5.3 kg (11.7 Lbs)	9.7 kg (21.4 Lbs)		12.3 kg (27.1 Lbs)	

# Air Flow Characteristics

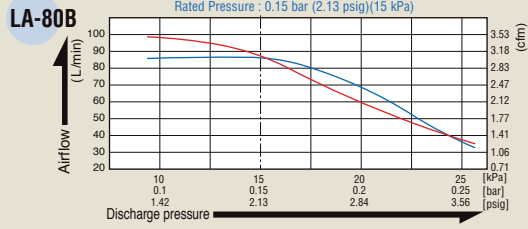
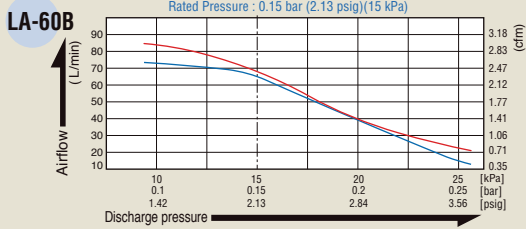


# Sketch Drawing and Dimensions Diagram (mm)

Compact Type

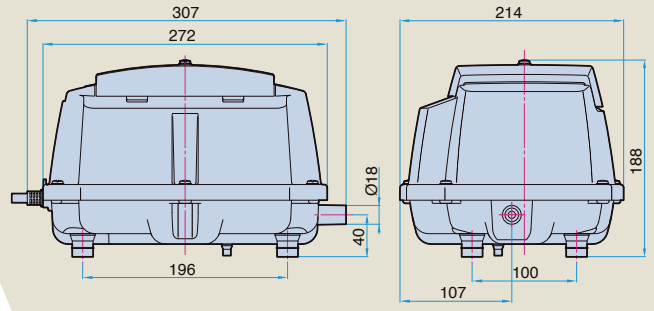
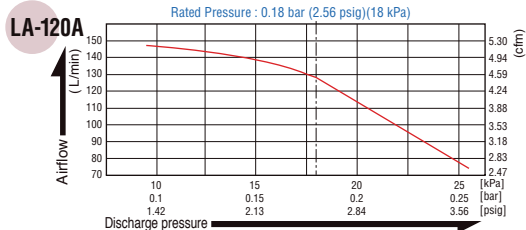
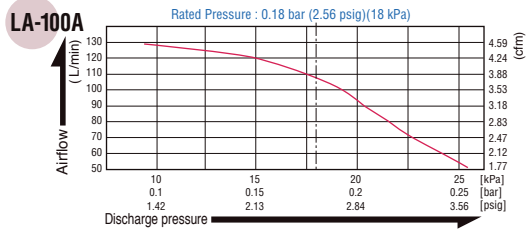


Medium Type

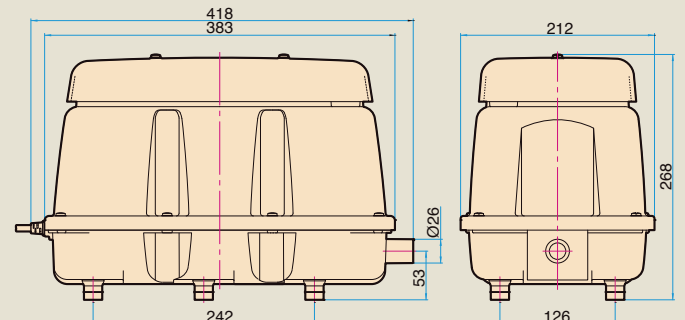
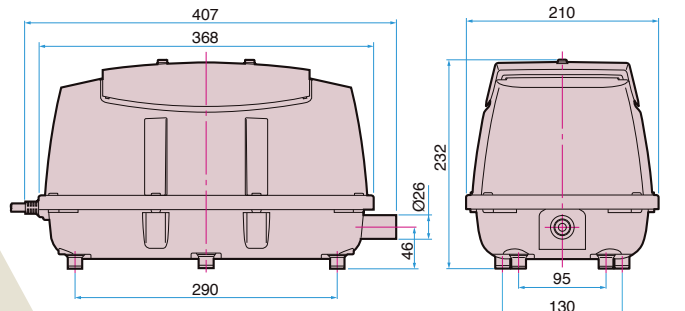
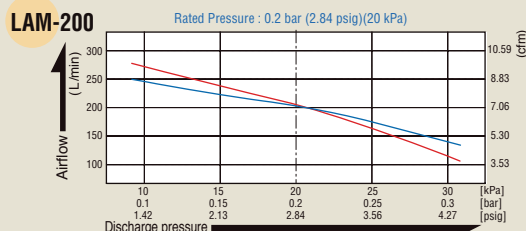
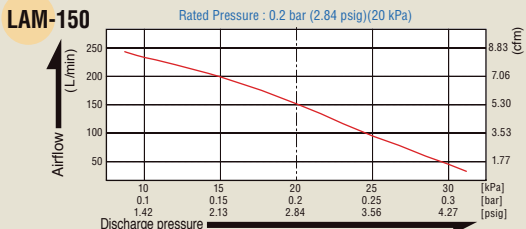


A : 44 mm (LA-28B), 47.5 mm (LA-45C)  
B : 205 mm (LA-28B), 208.5 mm (LA-45C)

Large Type



Extra Large Type



## NITTO KOHKI CO., LTD.

Web [www.nitto-kohki.co.jp/e](http://www.nitto-kohki.co.jp/e)

### Head Office

9-4, Nakaikegami 2-chome, Ohta-ku, Tokyo 146-8555, Japan  
Tel : +81-3-3755-1111 Fax : +81-3-3753-8791  
E-mail : [overseas@nitto-kohki.co.jp](mailto:overseas@nitto-kohki.co.jp)

DISTRIBUTED BY



This catalog is printed using environmentally friendly paper and vegetable oil inks.