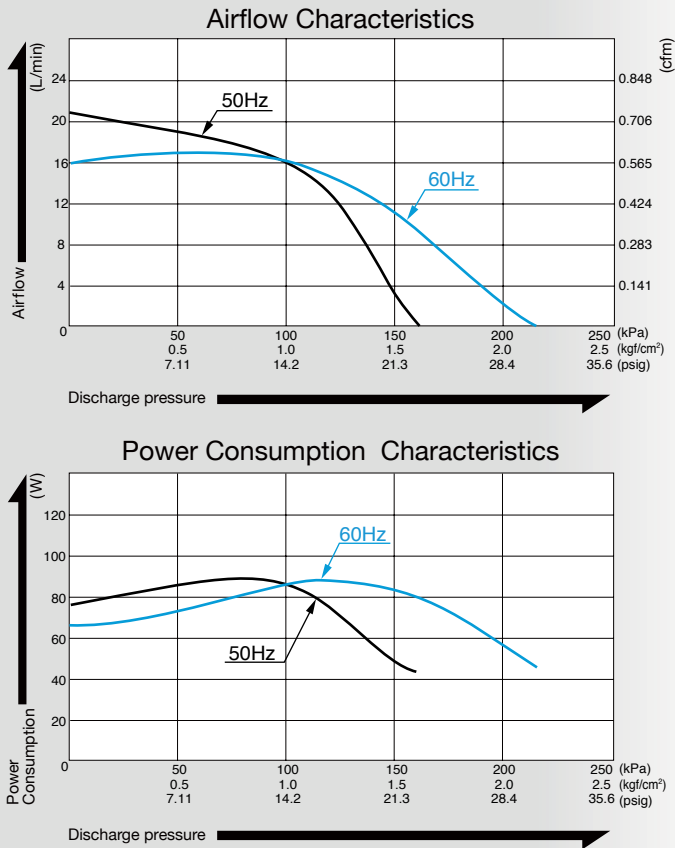


Compressor

Model AC0910



Airflow & Power Consumption

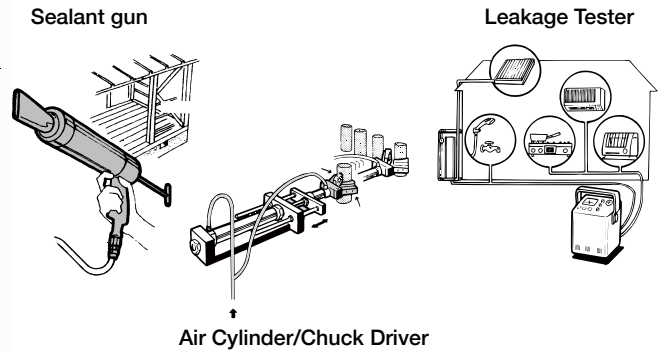


Specifications

Rated Pressure	100 kPa (1.0 kgf/cm ²) 1.0 bar 14.2 psig	
Rated Airflow	16 L/min 0.57 cfm	
Maximum Pressure	150 kPa (1.5 kgf/cm ²) 1.5 bar 21.3 psig	
Rated Voltage	115 V AC	230 V AC
Power Consumption	85 W	90 W
Rated Frequency	60 Hz	50 Hz
Rated Performance	3,000 hours	
Outlet	ISO Rc 1/4	
Duty Cycle	Continuous	
Coil Insulation Class	E or its equivalent (JETL) or B for UL	
Mounting Dimensions	102 (L) x 130 (W) mm 4-1/64" (L) x 5-1/8" (W)	
Weight	4.9 kg 10.8 Lbs	
Leadwire Length	300 mm 11-13/16"	320 mm 12-19/32"

Please read the page of "How to Use This Catalog" first for correct use of compressors and pumps.

Application Examples



Dimensional Outline Drawing (Unit: mm)

