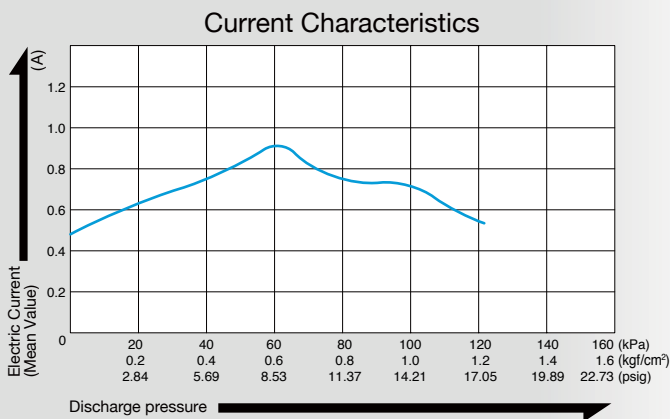
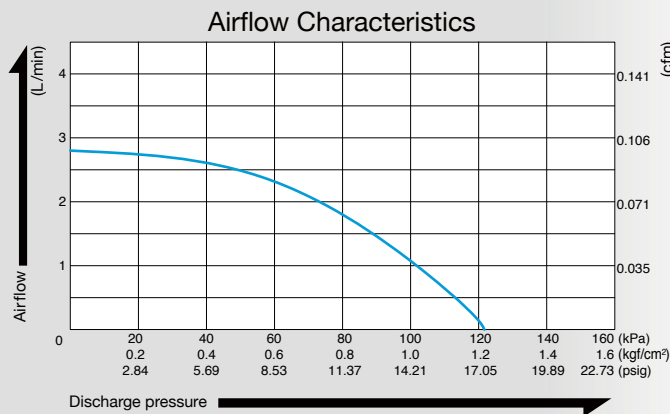


Compressor

Model **DAH110-X1** 12 V DC



Airflow & Electric Current



Specifications

Rated Pressure	100 kPa (1.0 kgf/cm ²) 1.0 bar 14.2 psig
Rated Airflow	1.0 L/min *1 0.035 cfm
Maximum Pressure	120 kPa (1.2 kgf/cm ²) 1.2 bar 17.1 psig
Rated Voltage	12 V DC
Current (Mean Value)	0.74 A
Rated Performance (MTTF)	5,000 hours
Outlet	4.7 mm O.D. hose barb
Duty Cycle	Continuous
Coil Insulation Class	A or its equivalent
Mounting Dimensions	76 (L) x 70 (W) mm 2-63/64" (L) x 2-3/4" (W)
Weight	0.91 kg 2.01 Lbs
Leadwire Length	300 mm 11-13/16"

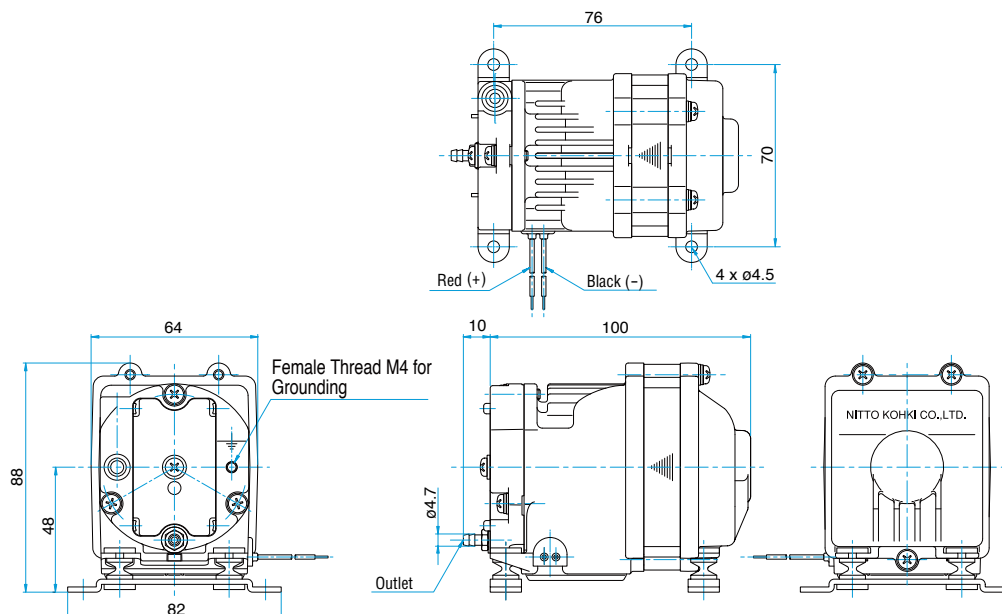
*1: Airflow at rated pressure.

Please read the page of "How to Use This Catalog" first for correct use of compressors and pumps.

Application Examples

Medical equipment, analyzers, etc.

Dimensional Outline Drawing (Unit: mm)



Heavy duty rubber feet available on request to prevent drop damage when located within portable devices.

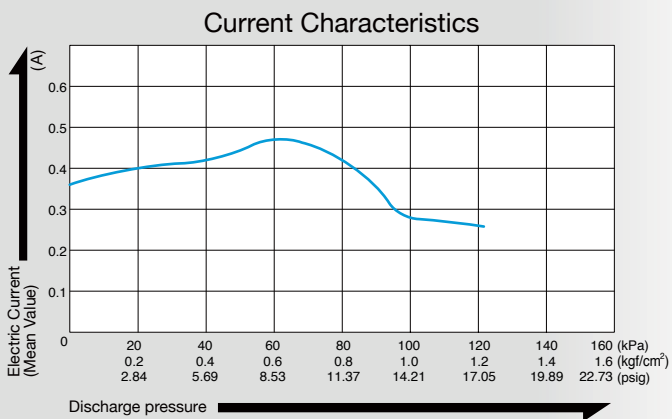
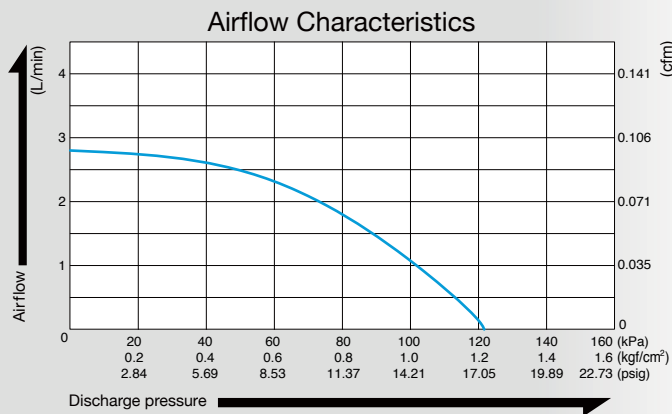


Compressor

Model **DAH110-Y1** 24 V DC



Airflow & Electric Current



Specifications

Rated Pressure	100 kPa (1.0 kgf/cm ²) 1.0 bar 14.2 psig
Rated Airflow	1.0 L/min *1 0.035 cfm
Maximum Pressure	120 kPa (1.2 kgf/cm ²) 1.2 bar 17.1 psig
Rated Voltage	24 V DC
Current (Mean Value)	0.27 A
Rated Performance (MTTF)	5,000 hours
Outlet	4.7 mm O.D. hose barb
Duty Cycle	Continuous
Coil Insulation Class	A or its equivalent
Mounting Dimensions	76 (L) x 70 (W) mm 2-63/64" (L) x 2-3/4" (W)
Weight	0.91 kg 2.01 Lbs
Leadwire Length	300 mm 11-13/16"

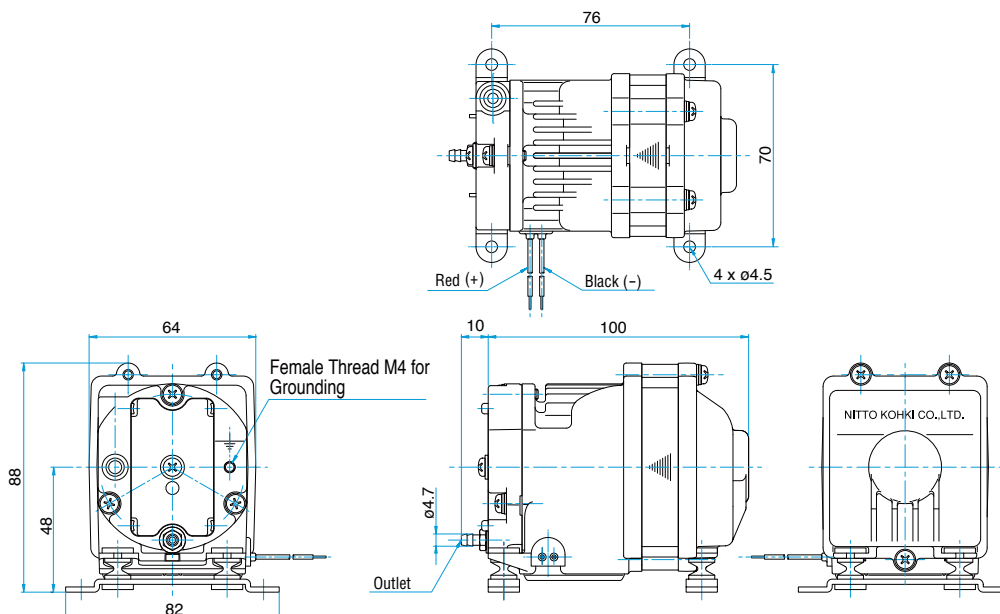
*1: Airflow at rated pressure.

Please read the page of "How to Use This Catalog" first for correct use of compressors and pumps.

Application Examples

Medical equipment, analyzers, etc.

Dimensional Outline Drawing (Unit: mm)



Heavy duty rubber feet available on request to prevent drop damage when located within portable devices.

