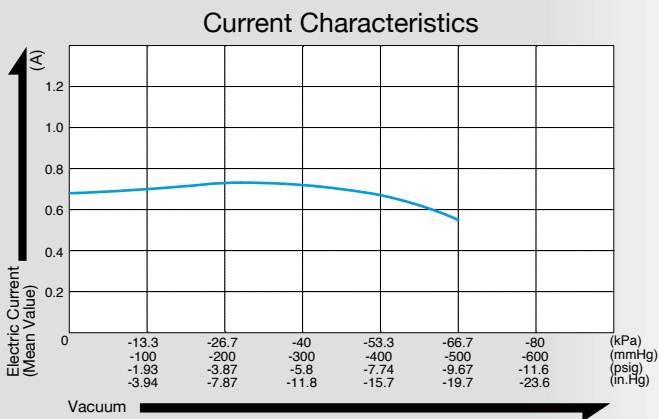
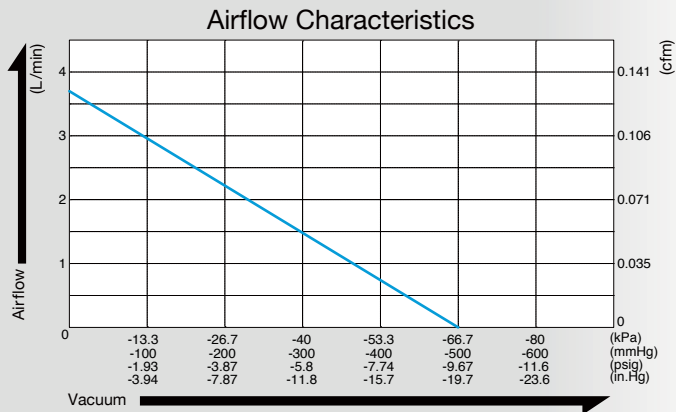


# Vacuum Pump

## Model DVH145-X1 12 V DC



### Airflow & Electric Current



### Specifications

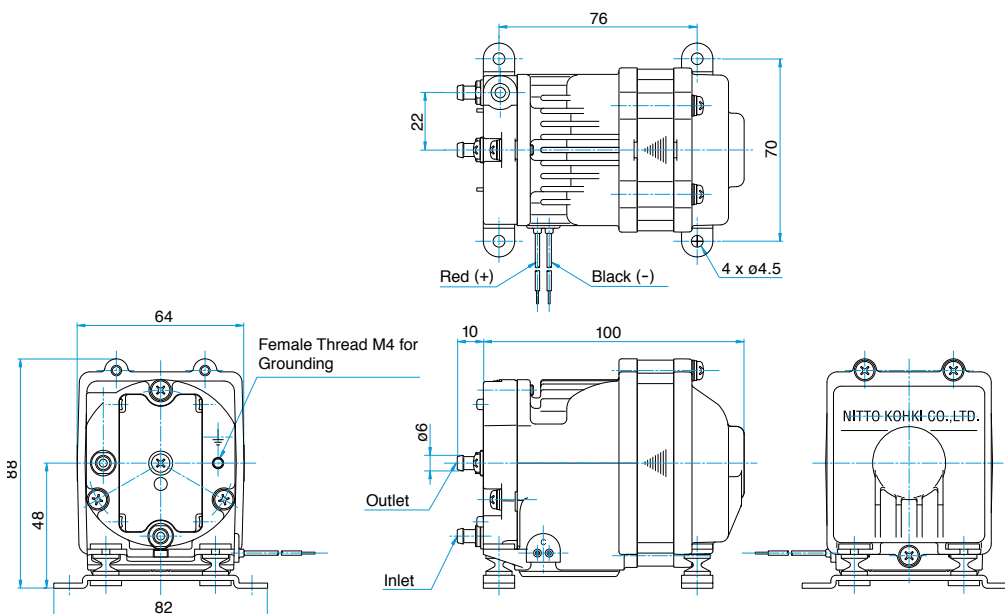
Attainable Vacuum	-60 kPa (-450 mmHg) -600 mbar -17.7 in. Hg
Free Air Displacement	3 L/min *1 0.106 cfm
Rated Voltage	12 V DC
Current (Mean Value)	0.73 A
Rated Performance (MTTF)	10,000 hours
Inlet	6 mm O.D. hose barb
Outlet	6 mm O.D. hose barb
Duty Cycle	Continuous
Coil Insulation Class	A or its equivalent
Mounting Dimensions	76 (L) x 70 (W) mm 2-63/64" (L) x 2-3/4" (W)
Weight	0.91 kg 2.01 Lbs
Leadwire Length	300 mm 11-13/16"

\*1: Free air displacement at no-load operation.  
Please read the page of "How to Use This Catalog" first for correct use of compressors and pumps.

### Application Examples

Medical equipment, analyzers, etc.

### Dimensional Outline Drawing (Unit: mm)



Heavy duty rubber feet available on request to prevent drop damage when located within portable devices.

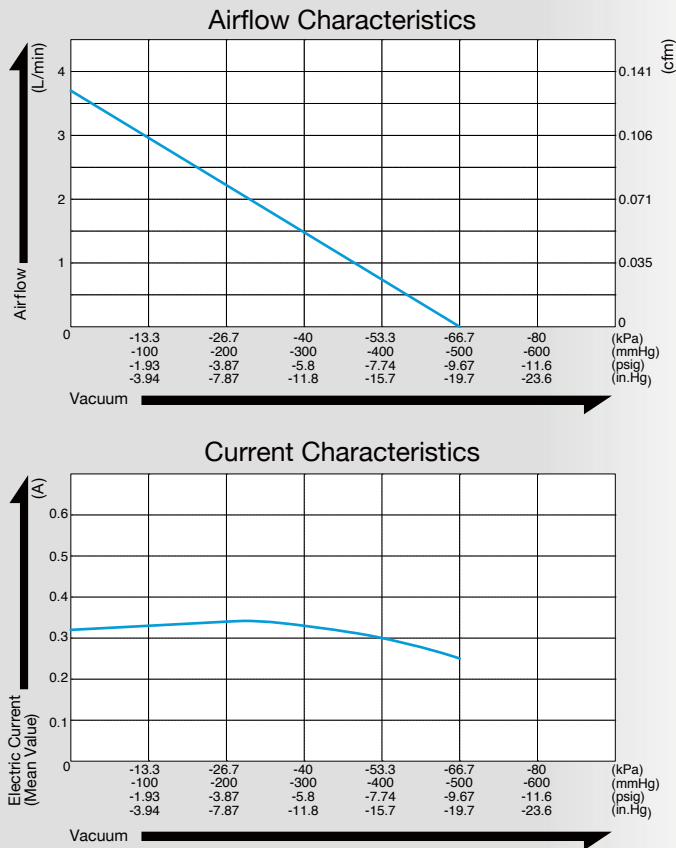


# Vacuum Pump

## Model DVH145-Y1 24 V DC



### Airflow & Electric Current



### Specifications

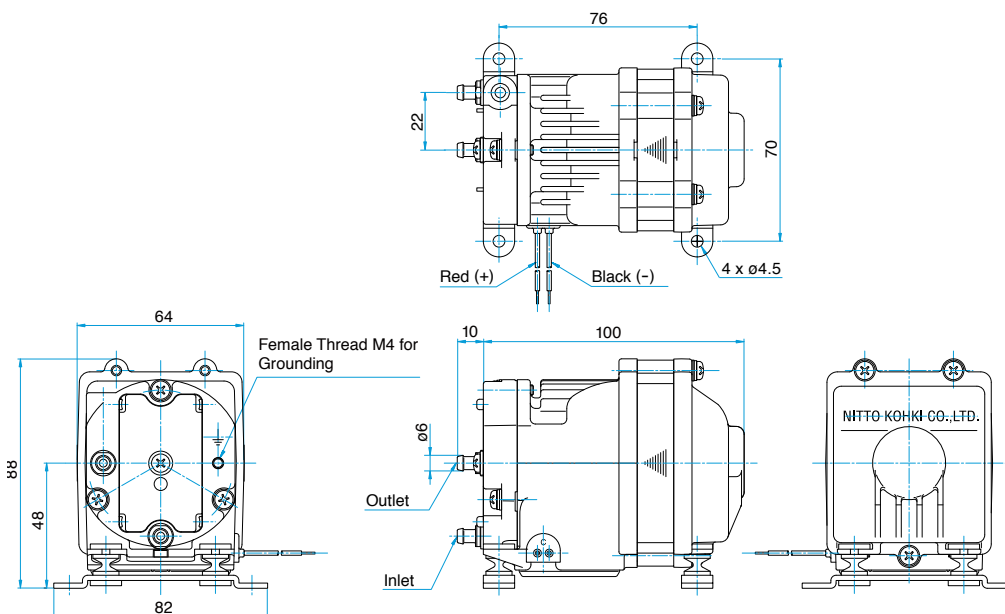
Attainable Vacuum	-60 kPa (-450 mmHg) -600 mbar -17.7 in. Hg
Free Air Displacement	3 L/min *1 0.106 cfm
Rated Voltage	24 V DC
Current (Mean Value)	0.34 A
Rated Performance (MTTF)	10,000 hours
Inlet	6 mm O.D. hose barb
Outlet	6 mm O.D. hose barb
Duty Cycle	Continuous
Coil Insulation Class	A or its equivalent
Mounting Dimensions	76 (L) x 70 (W) mm 2-63/64" (L) x 2-3/4" (W)
Weight	0.91 kg 2.01 Lbs
Leadwire Length	300 mm 11-13/16"

\*1: Free air displacement at no-load operation.  
Please read the page of "How to Use This Catalog" first for correct use of compressors and pumps.

### Application Examples

Medical equipment, analyzers, etc.

### Dimensional Outline Drawing (Unit: mm)



Heavy duty rubber feet available on request to prevent drop damage when located within portable devices.

