

For Multi-Port Connection (Manual)

Multi Cupla MAM-A Type

Multiple port system

Working pressure



Valve structure



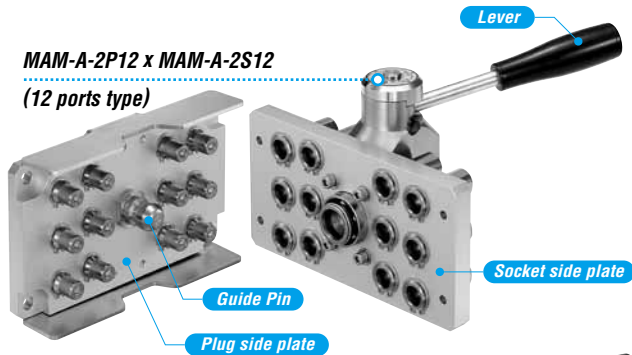
Applicable fluid



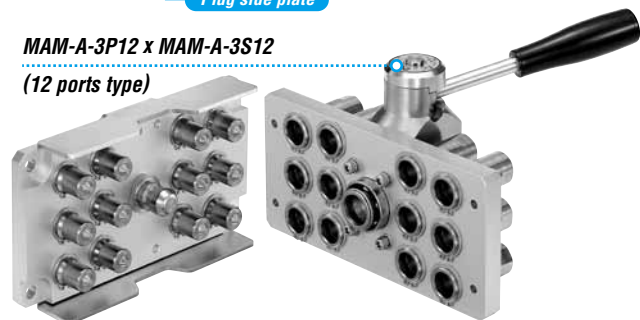
**Simultaneously connects several ports securely in one operation!
Greatly reduces changeover time in multiple ports replacement.**

- Handles several ports at once.
- Simple manual lever action completes easy connection / disconnection.
- Two-stage lever operation prevents Cupla from accidental dropping due to sudden detachment.
- Comes with lock mechanism to prevent accidental disconnection.
- Large flow equivalent to that of SP Cupla Type A.
- Two kinds of plates are available for each size.
- Automatic shut-off valves in both socket and plug prevent fluid spill out on disconnection.
- Self-aligned valve design provides safety sealing of individual socket or plug when disconnected.

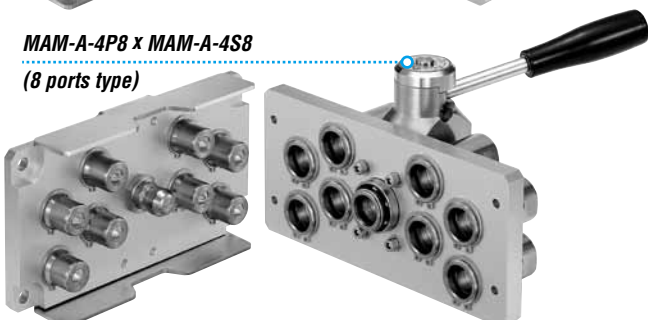
MAM-A-2P12 x MAM-A-2S12
(12 ports type)



MAM-A-3P12 x MAM-A-3S12
(12 ports type)



MAM-A-4P8 x MAM-A-4S8
(8 ports type)



Specifications

| Model | Plug | MAM-A-2P6 | MAM-A-2P12 | MAM-A-3P6 | MAM-A-3P12 | MAM-A-4P4 | MAM-A-4P8 |
|---------------------------|---------------------|---|------------|-------------|---------------------------|-----------------------|-----------|
| | Socket | MAM-A-2S6 | MAM-A-2S12 | MAM-A-3S6 | MAM-A-3S12 | MAM-A-4S4 | MAM-A-4S8 |
| Number of ports | | 6 | 12 | 6 | 12 | 4 | 8 |
| Size (Thread) | | 1/4" | | 3/8" | | 1/2" | |
| Body material | | Cupla: Brass (Nickel-plated) | | | | Plate: Aluminum alloy | |
| | | Locking unit: Steel (Autocatalytic nickel-phosphorus coating) | | | | | |
| Working pressure | MPa | 1.0 | | | | | |
| | kgf/cm ² | 10 | | | | | |
| | bar | 10 | | | | | |
| | PSI | 145 | | | | | |
| Ambient temperature range | | 0°C to +60°C | | | | | |
| Sealing material | Sealing material | Fluoro rubber | Mark | FKM (X-100) | Working temperature range | -20°C to +180°C | |
| Working temperature range | | Standard material | | | | | |

Max. Tightening Torque

Nm (kgf·cm)

| Size (Thread) | 1/4" | 3/8" | 1/2" |
|---------------|--------|----------|----------|
| Torque | 9 {92} | 12 {122} | 30 {306} |

Interchangeability

No connection is possible between plates with different number of ports.

Min. Cross-Sectional Area per Port

(mm²)

| Model | 2SP type | 3SP type | 4SP type |
|---------------------------|----------|----------|----------|
| Min. cross-sectional area | 26 | 51 | 73 |

Suitability for Vacuum

1.3 x 10⁻¹ Pa (1 x 10⁻³ mmHg)

| Socket only | Plug only | When connected |
|-------------|-----------|----------------|
| — | — | Operational |

Admixture of Air on Connection per Port

Admixture of air may vary depending upon the usage conditions. (mL)

| Model | 2SP type | 3SP type | 4SP type |
|---------------|----------|----------|----------|
| Volume of air | 1.1 | 2.7 | 3.9 |

Volume of Spillage on Disconnection per Port

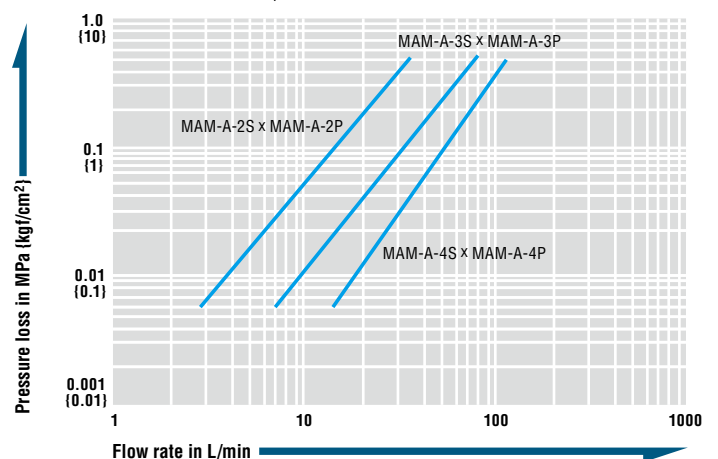
Volume of spillage may vary depending upon the usage conditions. (mL)

| Model | 2SP type | 3SP type | 4SP type |
|--------------------|----------|----------|----------|
| Volume of spillage | 0.8 | 2.1 | 3.4 |

Flow Rate - Pressure Loss Characteristics

Per port of Cupla

[Test conditions] • Fluid : Water • Temperature : 25°C ± 5°C



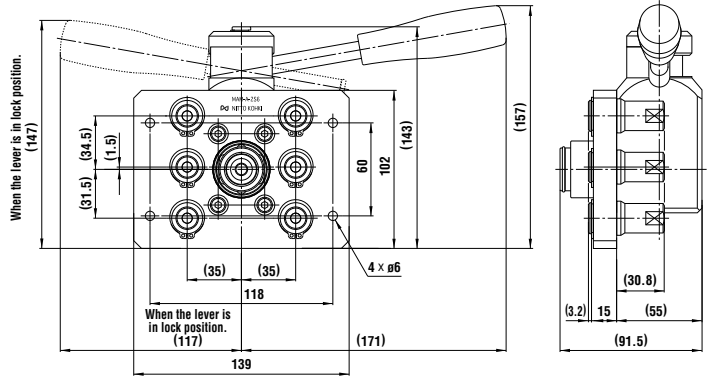
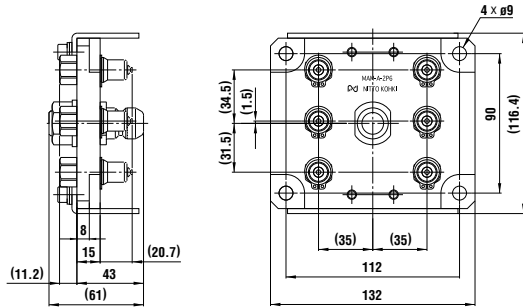
Models and Dimensions

Model MAM-A-2P6 × MAM-A-2S6 (6 ports type)

• Application: R 1/4 Mass: 1100 g (Plug), 2150 g (Socket)

Plug: Model **MAM-A-2P6**

Socket: Model **MAM-A-2S6**



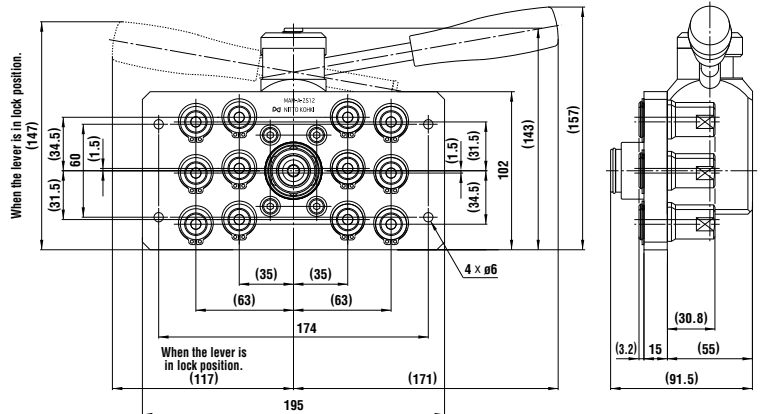
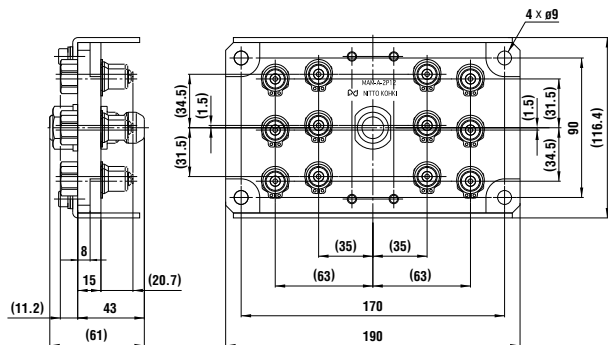
Dimensions (mm)

Model MAM-A-2P12 × MAM-A-2S12 (12 ports type)

• Application: R 1/4 Mass: 1650 g (Plug), 2800 g (Socket)

Plug: Model **MAM-A-2P12**

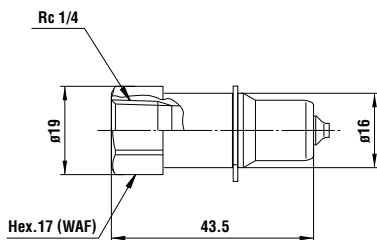
Socket: Model **MAM-A-2S12**



Dimensions (mm)

Plug Model MAM-A-2P (Individual Cupla)

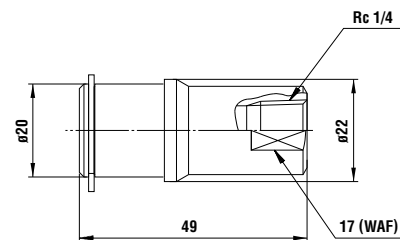
• Application: R 1/4 Mass: 40 g



Dimensions (mm)

Socket Model MAM-A-2S (Individual Cupla)

• Application: R 1/4 Mass: 82 g



Dimensions (mm)

Made-to-order Multi Cuplas are available on request, such as a combination of different sizes on the flange plate.

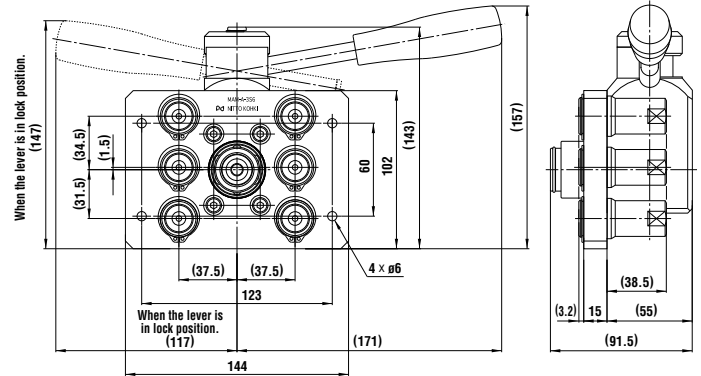
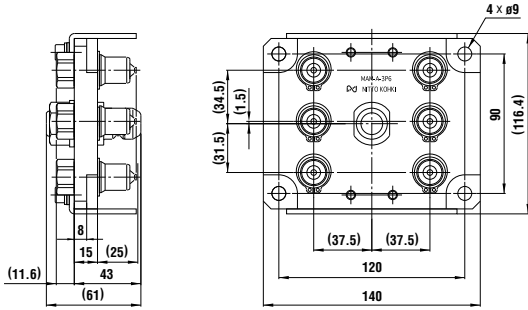
Before use, please be sure to read "Safety Guide" described at the end of this book and "Instruction Sheet" that comes with the products.

Model MAM-A-3P6 × MAM-A-3S6 (6 ports type)

• Application: R 3/8 Mass: 1250 g (Plug), 2400 g (Socket)

Plug: Model **MAM-A-3P6**

Socket: Model **MAM-A-3S6**



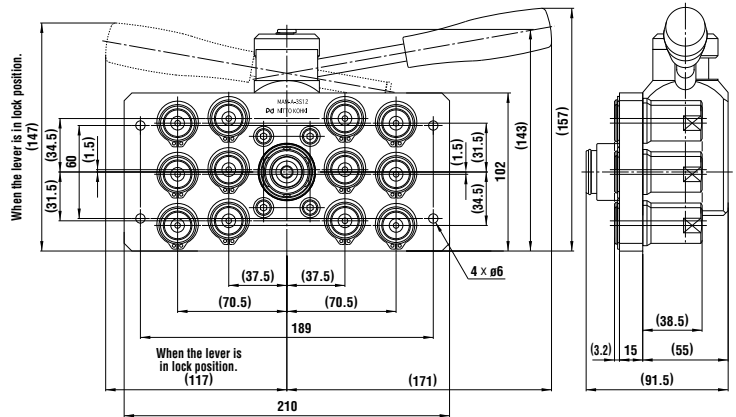
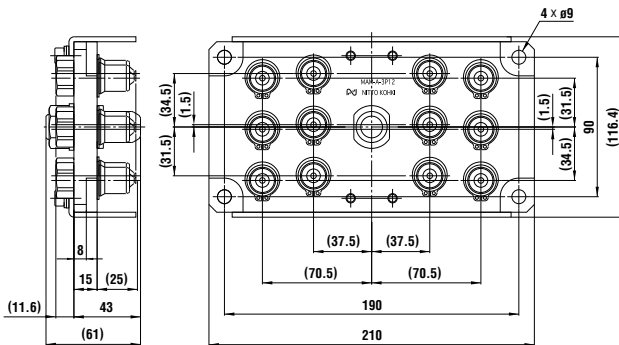
Dimensions (mm)

Model MAM-A-3P12 × MAM-A-3S12 (12 ports type)

• Application: R 3/8 Mass: 1950 g (Plug), 3300 g (Socket)

Plug: Model **MAM-A-3P12**

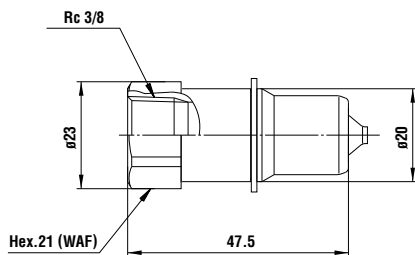
Socket: Model **MAM-A-3S12**



Dimensions (mm)

Plug Model MAM-A-3P (Individual Cupla)

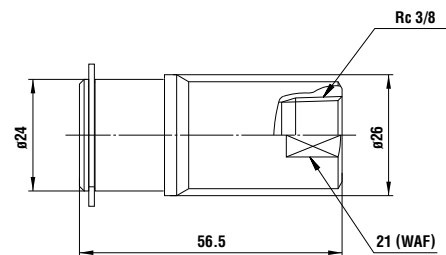
• Application: R 3/8 Mass: 62 g



Dimensions (mm)

Socket Model MAM-A-3S (Individual Cupla)

• Application: R 3/8 Mass: 122 g



Dimensions (mm)

Made-to-order Multi Cuplas are available on request, such as a combination of different sizes on the flange plate.

Before use, please be sure to read "Safety Guide" described at the end of this book and "Instruction Sheet" that comes with the products.

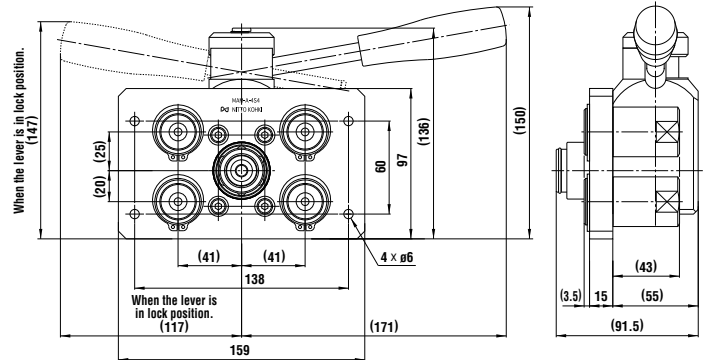
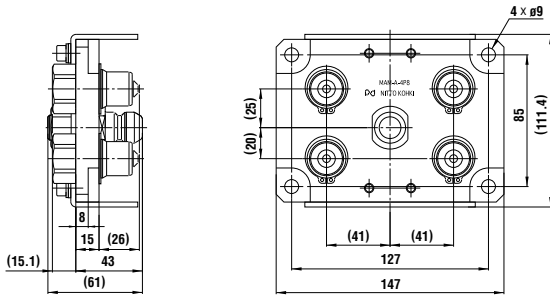
Models and Dimensions

Model MAM-A-4P4 × MAM-A-4S4 (4 ports type)

• Application: R 1/2 Mass: 1400 g (Plug), 2700 g (Socket)

Plug: Model **MAM-A-4P4**

Socket: Model **MAM-A-4S4**



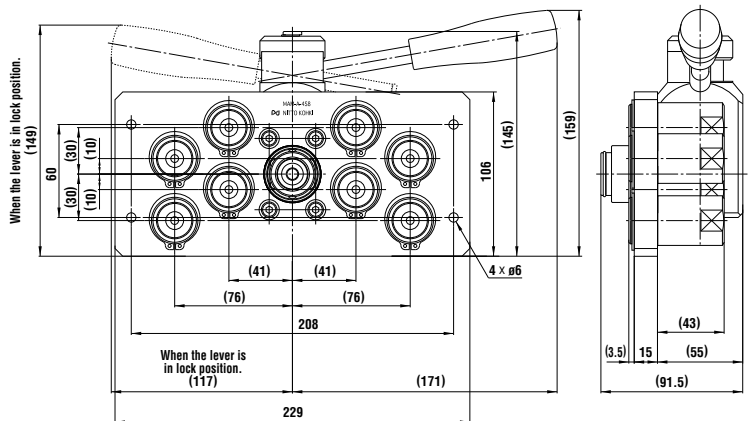
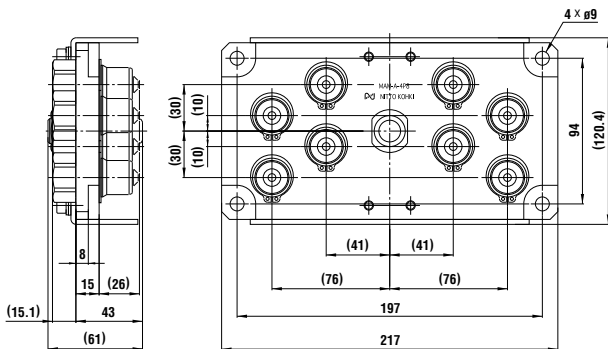
Dimensions (mm)

Model MAM-A-4P8 × MAM-A-4S8 (8 ports type)

• Application: R 1/2 Mass: 2300 g (Plug), 4000 g (Socket)

Plug: Model **MAM-A-4P8**

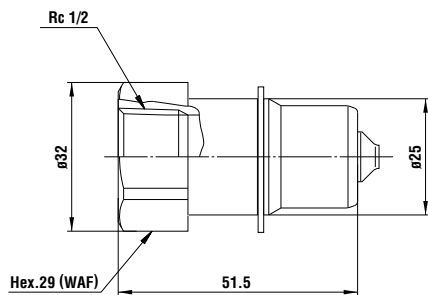
Socket: Model **MAM-A-4S8**



Dimensions (mm)

Plug Model MAM-A-4P (Individual Cupla)

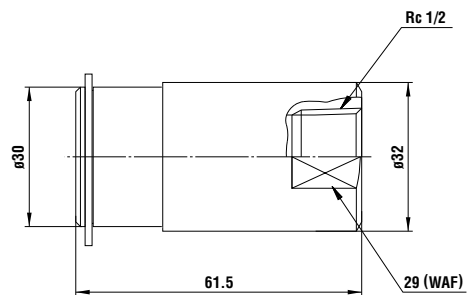
• Application: R 1/2 Mass: 127 g



Dimensions (mm)

Socket Model MAM-A-4S (Individual Cupla)

• Application: R 1/2 Mass: 256 g



Dimensions (mm)

Made-to-order Multi Cuplas are available on request, such as a combination of different sizes on the flange plate.

Before use, please be sure to read "Safety Guide" described at the end of this book and "Instruction Sheet" that comes with the products.