

DLV30/45/70 series

■ For Machine Screws (2.6 - 8.0 mm)

Features

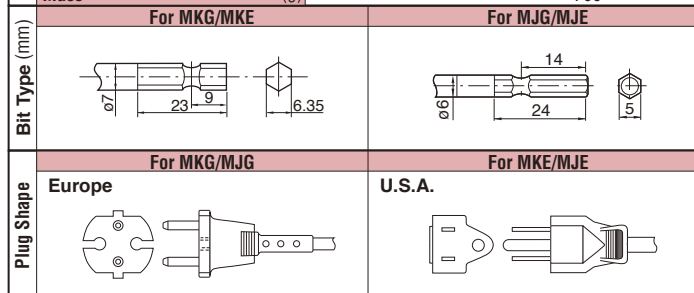
Eco-friendly electric screwdrivers with built-in brushless motors in a transformerless profile

- Torque range from 0.4 to 7.0 Nm
- Speed range from 650 to 2,000 min⁻¹
- Both the Lever Start and Push to Start types of models are available
- Equipped with a torque adjustment ring cover
- Design conforms to the RoHS Directive and thus appeals to the environmentally conscious user
- Models with CE marking are available
- Easily detachable Pistol Grip DLW2300 (TD00335) comes with the unit as a standard accessory (DLV45/70 series)



Specifications

Electric Screwdriver	Model	Low Speed	Standard	High Speed	Low Speed	Standard	High Speed	Low Speed	Standard	Low Speed														
		European Plug*1	DLV30LL-MKG	DLV30SL-MKG	DLV30HL-MKG	DLV30LP-MKG	DLV30SP-MKG	DLV30HP-MKG	DLV45LL-MKG	DLV45LP-MKG	DLV45SL-MKG	DLV45SP-MKG	DLV70LL-MKG	DLV70LP-MKG										
		USA Plug	DLV30LL-MJG	DLV30SL-MJG	DLV30HL-MJG	DLV30LP-MJG	DLV30SP-MJG	DLV30HP-MJG	DLV45LL-MKE	DLV45LP-MKE	DLV45SL-MKE	DLV45SP-MKE	DLV70LL-MKE	DLV70LP-MKE										
Starting Method	Lever Start				Push to start				Lever Start	Push to start	Lever Start	Push to start	Lever Start	Push to start										
Free Speed (min ⁻¹)	650				1,200				2,000				650				1,200				650			
Input Voltage	230 V AC, 50/60 Hz																							
Torque (Nm)	Low Torque Spring*2		0.4 - 1.6		High Torque Spring*3		1.2 - 3.0		2.0 - 4.5				3.8 - 7.0											
Power Consumption (W)	Approx. 45																							
Screw Size (mm)	Machine Screw		2.6 - 5.0		Tapping Screw		2.5 - 4.0		4.5 - 6.0				6.0 - 8.0											
Mass (g)	700																							
870 (with Pistol Grip)																								



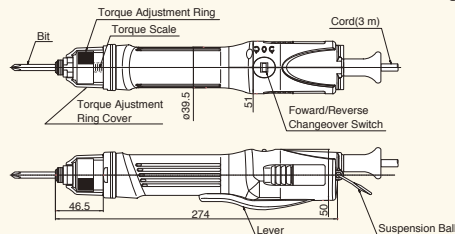
*1 : MKG/MJG type has CE marking *2 : Standard Accessory *3 : Built-in.

Standard Accessories

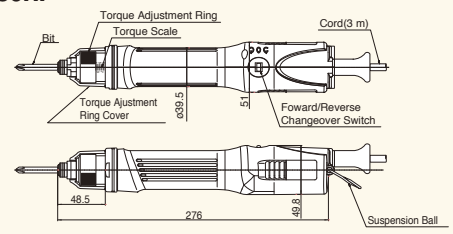
Bit	No.	DLV30 series		DLV45/70 series
		MJG/MJE	MKG/MKE	MKG/MKE
Suspension Bail	No.2 x 6 x 70	1	—	—
	No.2 x 7 x 75	—	1	1
Low Torque Spring		1	—	—

External Dimensions

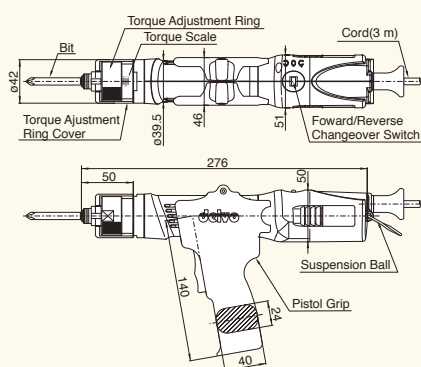
●DLV30LL/30SL/30HL



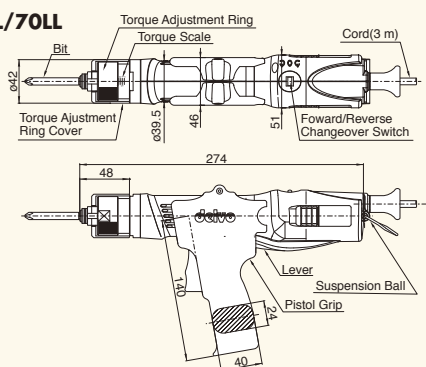
●DLV30LP/30SP/30HP



●DLV45SP/45LP/70LP

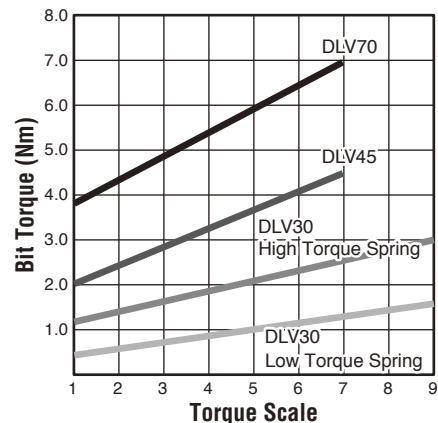


●DLV45SL/45LL/70LL



unit: mm

Torque Diagram (for reference)



DLV30/45/70 series